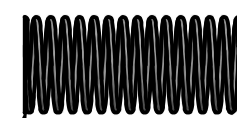
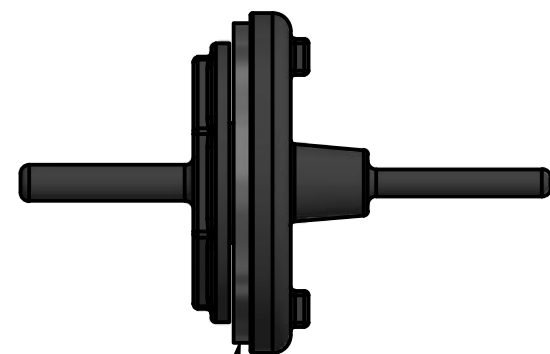
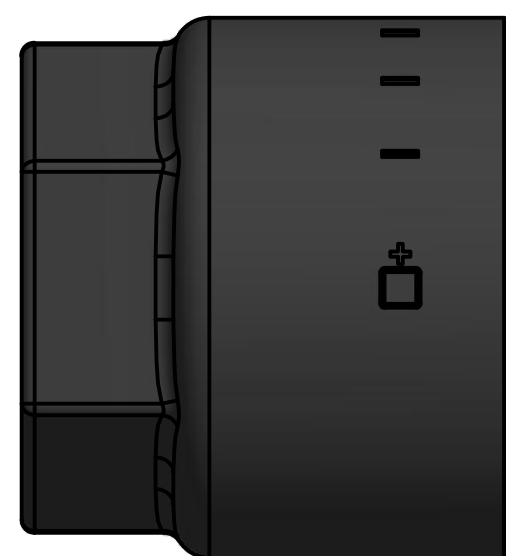
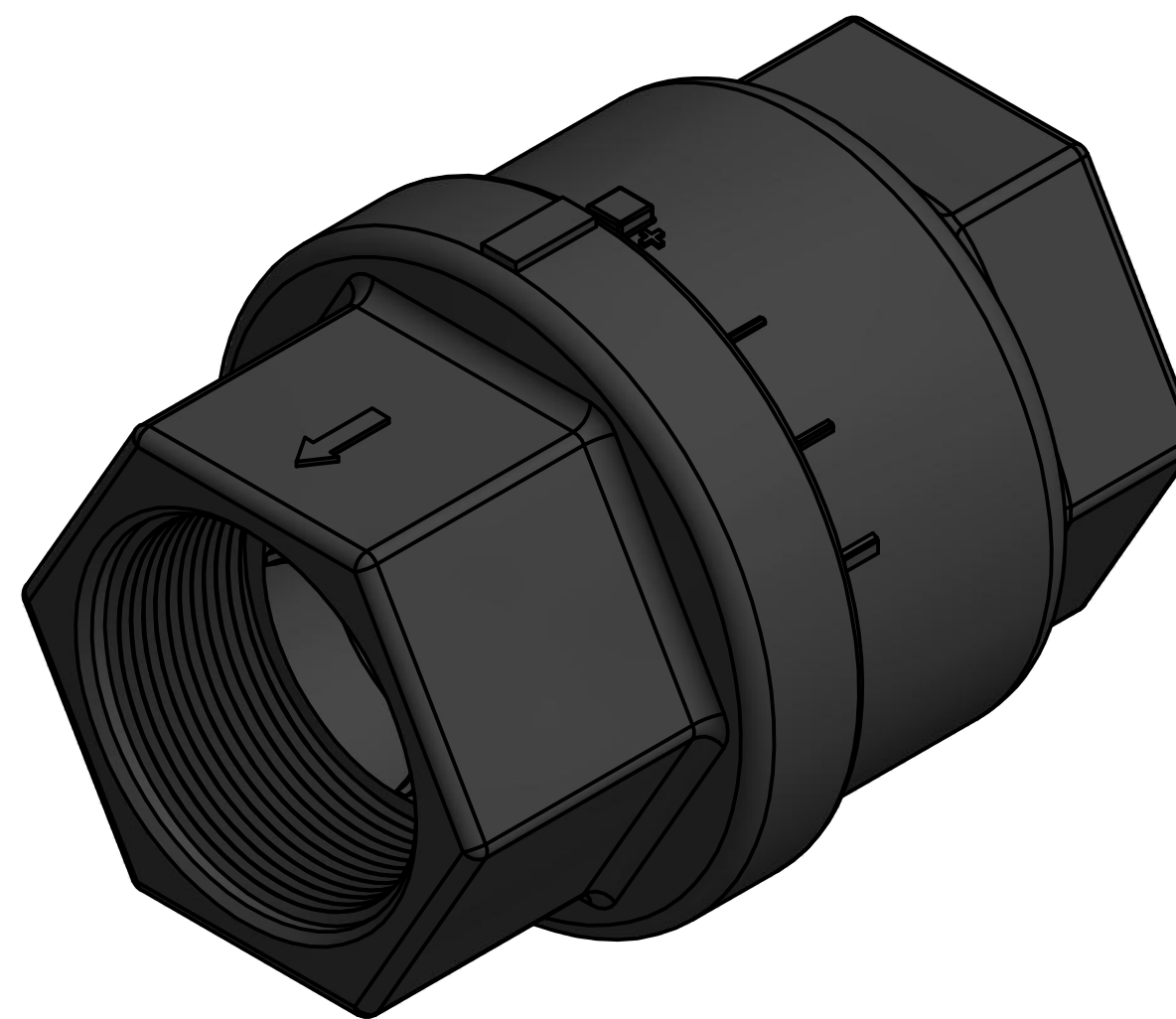
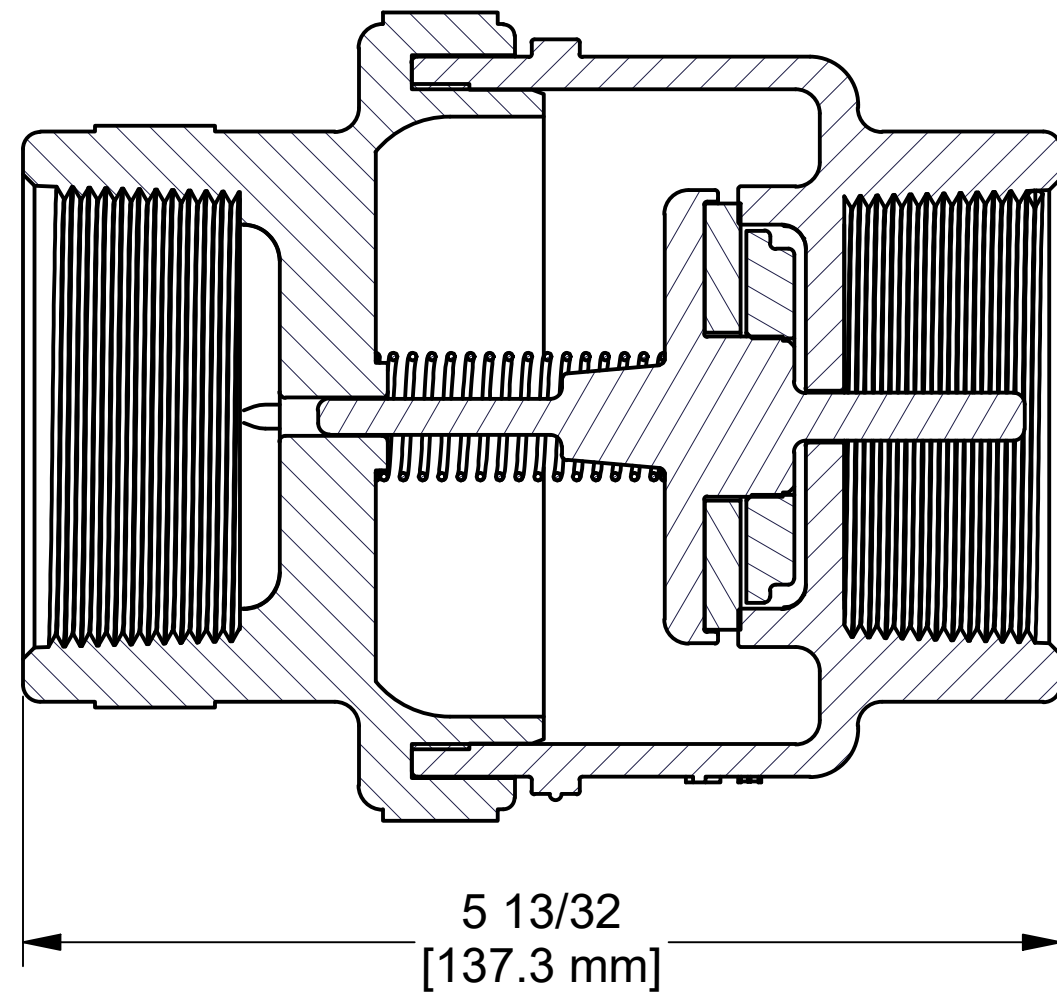
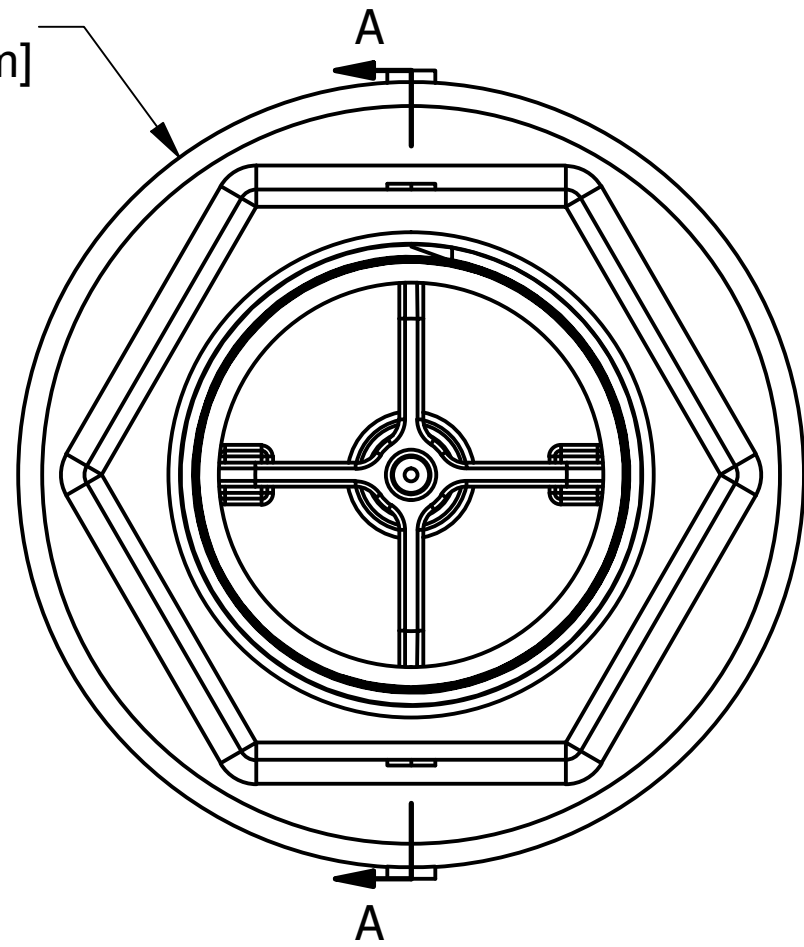


Parts List			
ITEM	QTY	PART NUMBER	DESCRIPTION
1	1	CV10005	PSI DECAL (N/S)
2	1	CV21505A	1.5 LB/INCH COMPRESSION SPRING
3	1	CV25155A	2" FP POPPET ASSEMBLY
4	1	CV25354	2" FP CV FEMALE HALF BODY
5	1	CV25356	2" FP MALE HALF E/P

Ø4 3/32
[103.9 mm]



4

3

2

5

NOTE:

OPENING PRESSURE LESS THAN 1/2 PSI



THIS DRAWING AND ALL INFORMATION CONTAINED THEREON ARE THE EXCLUSIVE PROPERTY OF BANJO CORPORATION.

UNLESS SPECIFICALLY NOTED, THIS DRAWING AND ITEMS SHOWN ON THIS DRAWING ARE SUBJECT TO CHANGE AT ANY TIME.

BANJO CORPORATION
150 BANJO DRIVE, CRAWFORDSVILLE, IN 47933
WEB SITE: WWW.BANJOCORP.COM
E-MAIL: BANJOSALES@IDEXCORP.COM

DESCRIPTION
2" FULL PORT NPT CHECKVALVE

PART NUMBER
BJ-PVCFTFTM2PP-200